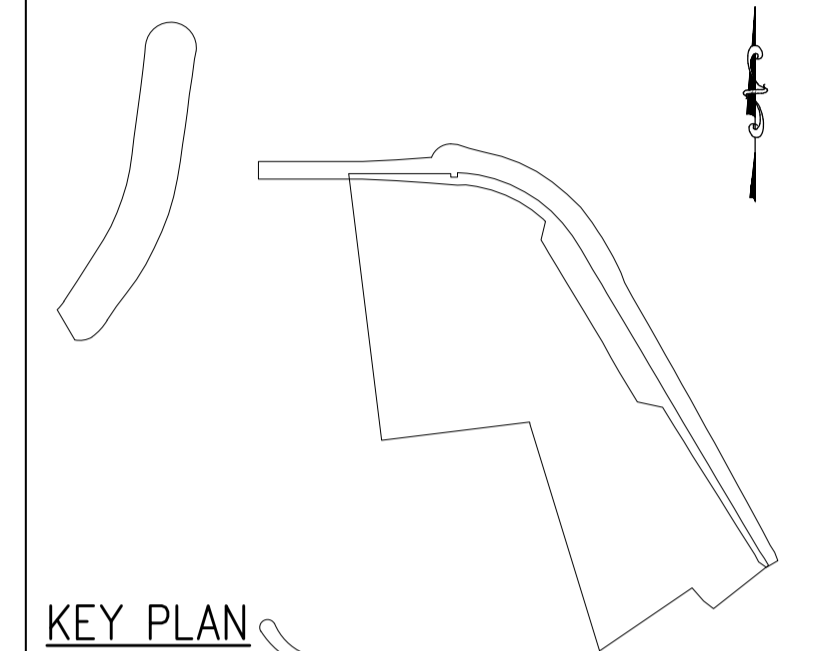


FOR CONSTRUCTION
SUBMITTED DATE: 21 NOVEMBER 2014

DISTRIBUTION LIST

NAME	DATE



G.I.S. ENTITIES

CODE	ENTITY	LOCATION ON DRAFT

REVISION

SIGNATURE	MODIFICATION	YEAR	MONTH	DAY	NO.
	UPDATING DRAINAGE AT A1	2018	06	07	1
	UPDATING DETAIL 10	2018	09	05	2
	ADDING DETAIL 17	2019	05	23	3
	UPDATING DETAIL 17	2019	06	24	4

INFORMATION	TENDER	CONSTRUCTION	AS MADE

חברת נמלי ישראל
פיתוח ותכנון בניה
מנהלת המסופים העתידיים

ISRAEL PORTS
Development & Assets Company Ltd.
Terminals Development Division
NEW MARINE CONTAINER TERMINAL IN
HAIFA PORT (HAMIFRATZ PORT)

DRAWING NAME: QUAYS AREA DEVELOPMENT PAVEMENT & DRAINAGE

SUBJECT OF DRAWING: נושא הפרוטוקול

PAVING SECTIONS AND DETAILS

	שם	תאריך	חתימה
DESIGNED	תכנון E.B.	21.07.2014	
DRAWN	שרטוט L.R.	21.07.2014	
CHECKED	בקר G.G.	21.07.2014	
APPROVED	אושר ע"י B.P.	31.03.14	

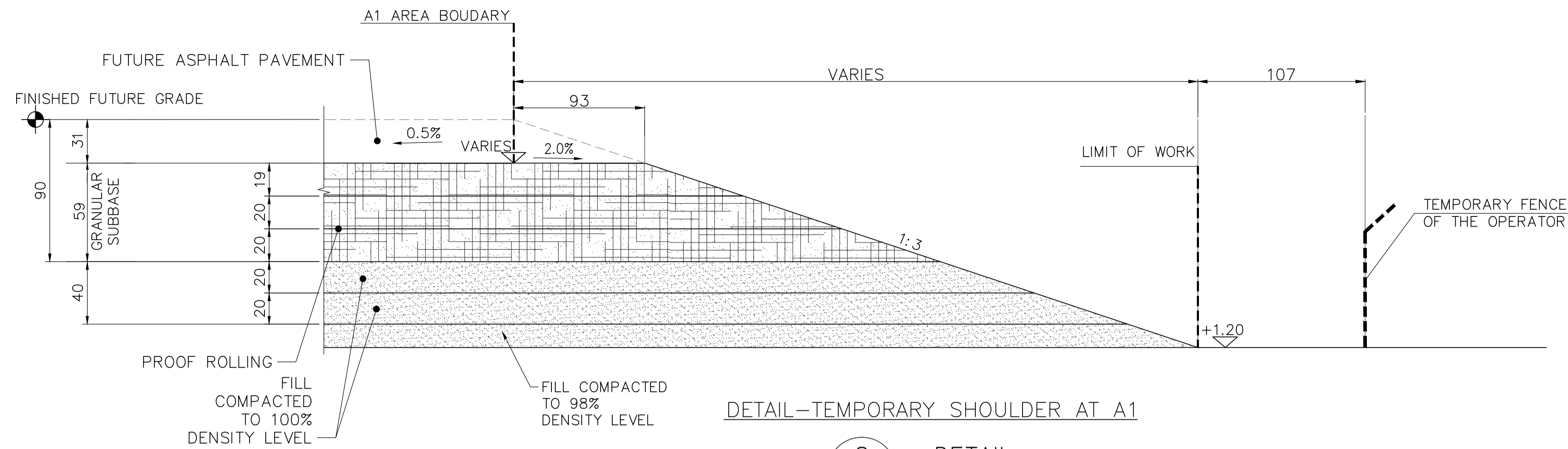
SCALE: 1:20 DRAWING NO. 500-A3-P-0130A-04C

FILE NAME + PATH: \\NHMCT111AC\CONTRACT\3-QUAYS AREA DEVELOPMENT\05-PAVEMENT & DRAINAGE\G-NHMCT111AC-500-A3.dwg

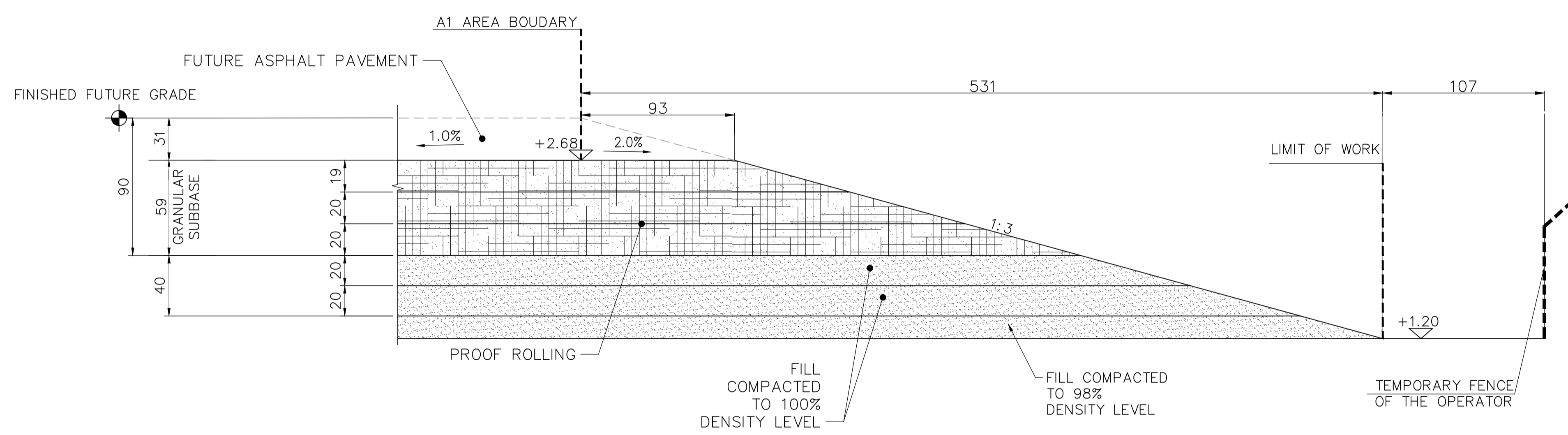
CONSULTANTS: מתכננים

HPA ENGINEERS, P.C.

Greiner D.L. Engineers Ltd.
ת.ד. 5000
רחוב המדענים 10



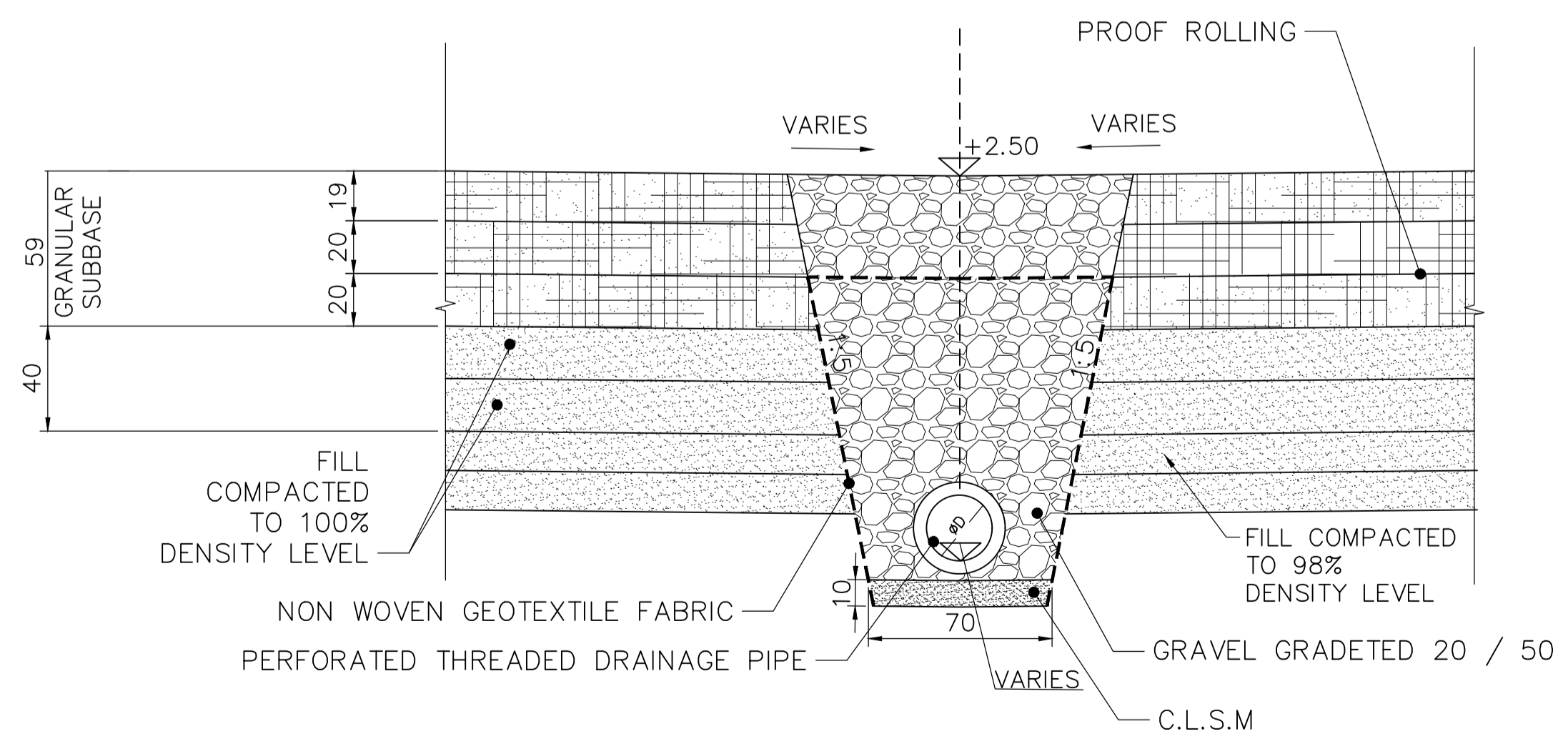
8 DETAIL
P-0107 SCALE: 1:20



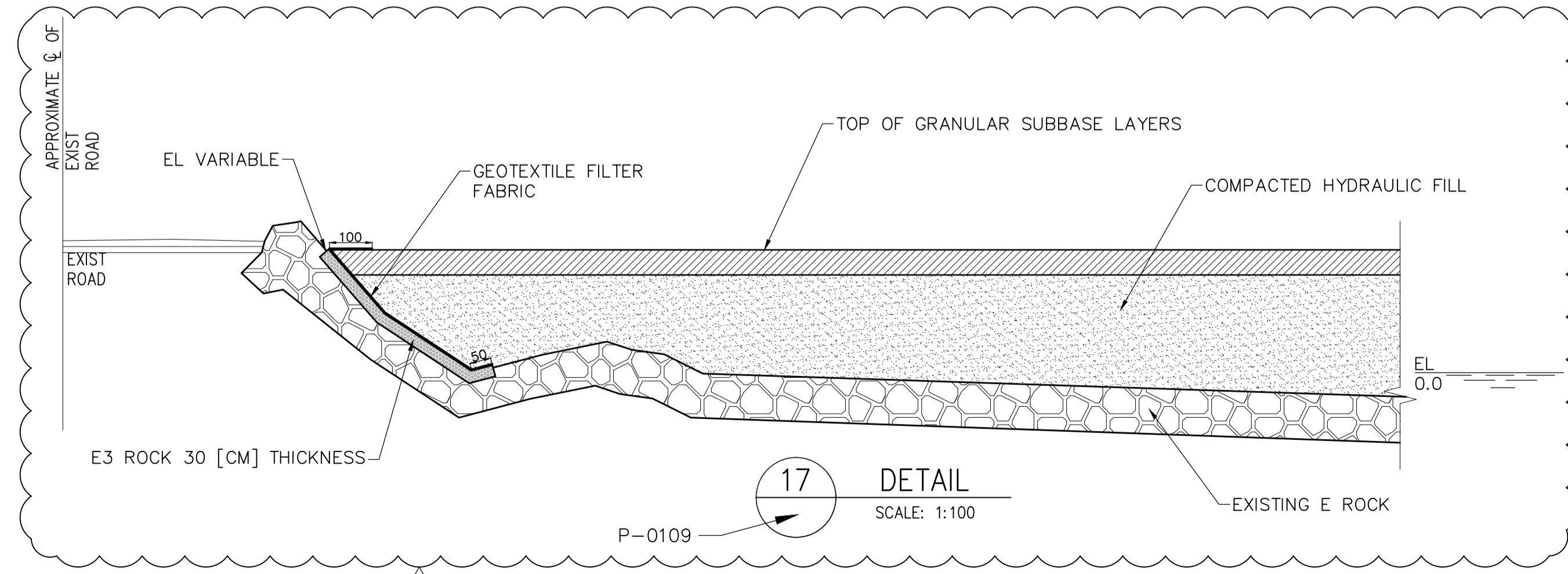
DETAIL-TEMPORARY SHOULDER AT A1

9 DETAIL
SCALE: 1:20
P-0107 TO P-0109

- NOTES:
1. DEPTHS AND LEVELS ARE RELATED TO LAND SURVEY DATUM (L.S.D.).
 2. ALL DIMENSIONS ARE IN CENTIMETERS, UNLESS OTHERWISE SHOWN.
 3. ON QUAY 8 ASPHALTIC COURSES ARE OPTIONAL.



DETAIL-PERFORATED THREADED DRAINAGE PIPE
10 DETAIL
SCALE: 1:20
P-0107 TO P-0109



17 DETAIL
SCALE: 1:100
P-0109



GRAPHIC SCALES
CHECK BEFORE USE

IF SHEET IS LESS THAN 594mm X 841mm
IT IS A REDUCED PRINT.
SCALE ACCORDINGLY